

Effect of Steel Fibers on the Behavior of Over-Reinforced Beams Subjected to Pure Torsion

Gunneswara Rao, T.D.¹⁾, Rama Seshu, D.²⁾ and Warnitchai, P.²⁾

Abstract: The improvement in torsional properties of reinforced concrete (RC) is becoming extremely important in the modern day constructions. Over the years the steel fiber reinforced concrete (SFRC) is being used for improving cracking characteristics of RC. The present paper deals with the behaviour of over reinforced SFRC members subjected to pure torsional loading. Torsion tests on the 15 reinforced steel fiber reinforced concrete beams revealed that, fiber has noticeable effect on the cracking torque and very little effect on the ultimate torsional strength of the member. However fiber inclusion could improve the torsional toughness of the member.

Keywords: Torsional strength, steel fibers, toughness, cracking torque, over reinforced members.

Introduction

Steel fiber reinforced concrete (SFRC) members occupied a place in the construction field due to their inherent capability of resisting the blast loads or dynamic loads, absorbing considerable energy. Fibers present in the concrete arrest the cracks or retard the crack propagation, which improves the tensile strength and energy absorbing property of the basic material (concrete). References [1-7] reported the effectiveness of the fibers in plain SFRC members resisting the torsional loads. In the case of reinforced concrete members subjected to pure torsional loads, both longitudinal reinforcement and transverse reinforcement along with concrete present between the potential spiral cracks share the torsional load beyond first crack [8]. The yielding of the longitudinal reinforcement or transverse reinforcement or crushing of the concrete or with their combination initiates the ultimate failure of reinforced concrete member under torsion. Thus reinforced sections subjected to pure torsional loads were categorized into five groups as detailed in Table.1.

Gunneswara Rao and Rama Seshu [7], proposed an analytical model to determine the torque twist response of steel fiber reinforced concrete members subjected to pure torsion. Gunneswara Rao [9] proposed semi-empirical formulae in SI units for determining the balanced percentages for longitudinal reinforcement and web reinforcement.

$$a_{lb} = 0.2687bd \frac{f'_c}{f_y} e^{-0.0021 f_y} \quad (1)$$

$$a_{tb} = 0.2447 \frac{bds}{p_h} \frac{f'_c}{f_y} e^{-0.0019 f_y} \quad (2)$$

$$\rho_{lb} = \frac{a_{lb}}{bd} * 100 \quad (3)$$

$$\rho_{tb} = \frac{a_{tb}}{bd} \left(\frac{p_h}{s} \right) * 100 \quad (4)$$

in which,

a_{lb} = Balanced longitudinal reinforcement

a_{tb} = Balanced transverse reinforcement

a_c = Area of concrete (b*d)

b = Breadth (smaller dimension) of the cross section

d = Depth (larger dimension) of the cross section

s = Spacing of the web reinforcement

p_h = Perimeter of the web centre line of the stirrup

ρ_{lb} = Percentage of balanced longitudinal reinforcement

ρ_{tb} = Percentage of balanced transverse reinforcement

f'_c = Cylinder compressive strength of concrete

f_y = Average yield strength of the longitudinal and transverse reinforcement (MPa)

f_{yl} = Yield strength of the longitudinal reinforcement

f_{yt} = Yield strength of the web/transverse reinforcement.

¹⁾ Department of Civil Engineering, National Institute of Technology, Warangal – 506 004, India.
 Email: tdgtdg@gmail.com

²⁾ School of Engineering and Technology, Asian Institute of Technology, Thailand

Note: Discussion is expected before June, 1st 2010, and will be published in the "Civil Engineering Dimension" volume 12, number 2, September 2010.

Received 1 March 2009; revised 30 July 2009; accepted 17 December 2009.

In the present day modern constructions the use of slender RC sections is increasing day by day due to architectural requirement. Such slender RC sections become over reinforced at very low percentages of steel reinforcement and thus limit the useful capacities of the section under service loads. However the sections with higher percentages of

reinforcement can be effectively used if the behavior in the range of service loads is improved. From this point of view the use of SFRC comes as an alternative. In the present investigation an attempt has been made to study the effect of steel fibers in the over reinforced category of beams, viz., beams over reinforced with respect to longitudinal reinforcement, beams over reinforced with respect to transverse reinforcement and beam over reinforced with respect to both reinforcements, subjected to pure torsion.

Table 1. Categories of RC sections under torsional loads

State of the cross section	Longitudinal reinforcement	Transverse reinforcement	Concrete present between spiral cracks
Balanced section	Yields	Yields	Crushes
Over reinforced with respect to longitudinal reinforcement	Doesn't yield	Yields	Crushes
Over reinforced with respect to transverse reinforcement	Yields	Doesn't yield	Crushes
Completely over reinforced	Doesn't yield	Doesn't yield	Crushes
Under reinforced section	Yields	Yields	Doesn't Crush

Methodology

The experimental investigation consisted of casting and testing 15 steel fiber reinforced concrete beams under pure torsional loading. The size of each beam was 100 mm x 200 mm x 2000 mm. The variables include the over reinforced state of the cross section and volume fraction of the fiber. The volume fraction of the fiber content varied at regular intervals of 0.3% from 0% to 1.2%. The reinforcement in the beams was provided in such a way that desired over reinforced state prevails. The cases of over reinforcement considered were a) with respect to longitudinal reinforcement b) with respect to web reinforcement and c) completely over reinforced state. To determine the required quantities of longitudinal steel and web steel for arriving at different over reinforced states, the semi-empirical formulae mentioned above (Eqs. 1-4) were used. The percentage of reinforcement provided in different beams, in excess of that required for a balanced failure under torsional loads is given in Table. 2. For each category of over reinforced state five specimens with varied fiber content were tested under pure torsion.

The proportioning of concrete was maintained constant throughout the investigation. A concrete mix targeting a compressive strength of 50 MPa was used. Figure 1 shows the cross sectional details of the beam. An effective cover of 15 mm is provided for the transverse reinforcement.

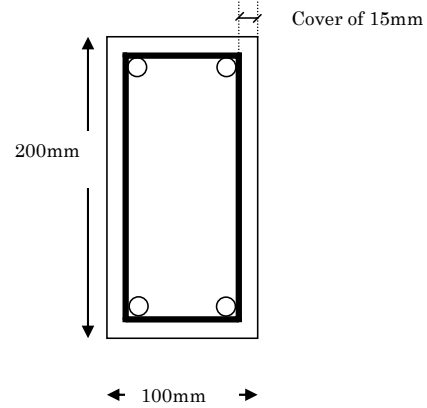


Figure 1. Cross sectional details of the beam

Table 2. Percentage of reinforcement provided in the test beams for different failure states (R50C, R50L, and R50T)

Reinforcement	Reinforcement provided	
	Longitudinal reinforcement	Transverse reinforcement
Reinforcement required for balanced failure	0.945%	0.996%
Completely over reinforced failure (R50C)	1.570% (0.625% Excess)	1.506% (0.510% Excess)
Longitudinally over reinforced failure (R50L)	1.570% (0.625% Excess)	0.803% (0.193% Less)
Transversely over reinforced failure (R50T)	0.565% (0.380% Less)	1.506% (0.510% Excess)

Materials

The materials used in this investigation are detailed in Table 3, while the details of the mix design, reinforcement arrangement and volume fraction of fiber added to the different elements are tabulated in Table 4. The cement content and fly ash contents were 415 kg and 83 kg per cubic meter of concrete respectively. Fine aggregate, coarse aggregate and water used for concreting are 759 kg, 880 kg, and 190 litres per cubic meter of concrete respectively. The compressive strength as well as the split tensile strength of the mixes was also reported in Table 4.

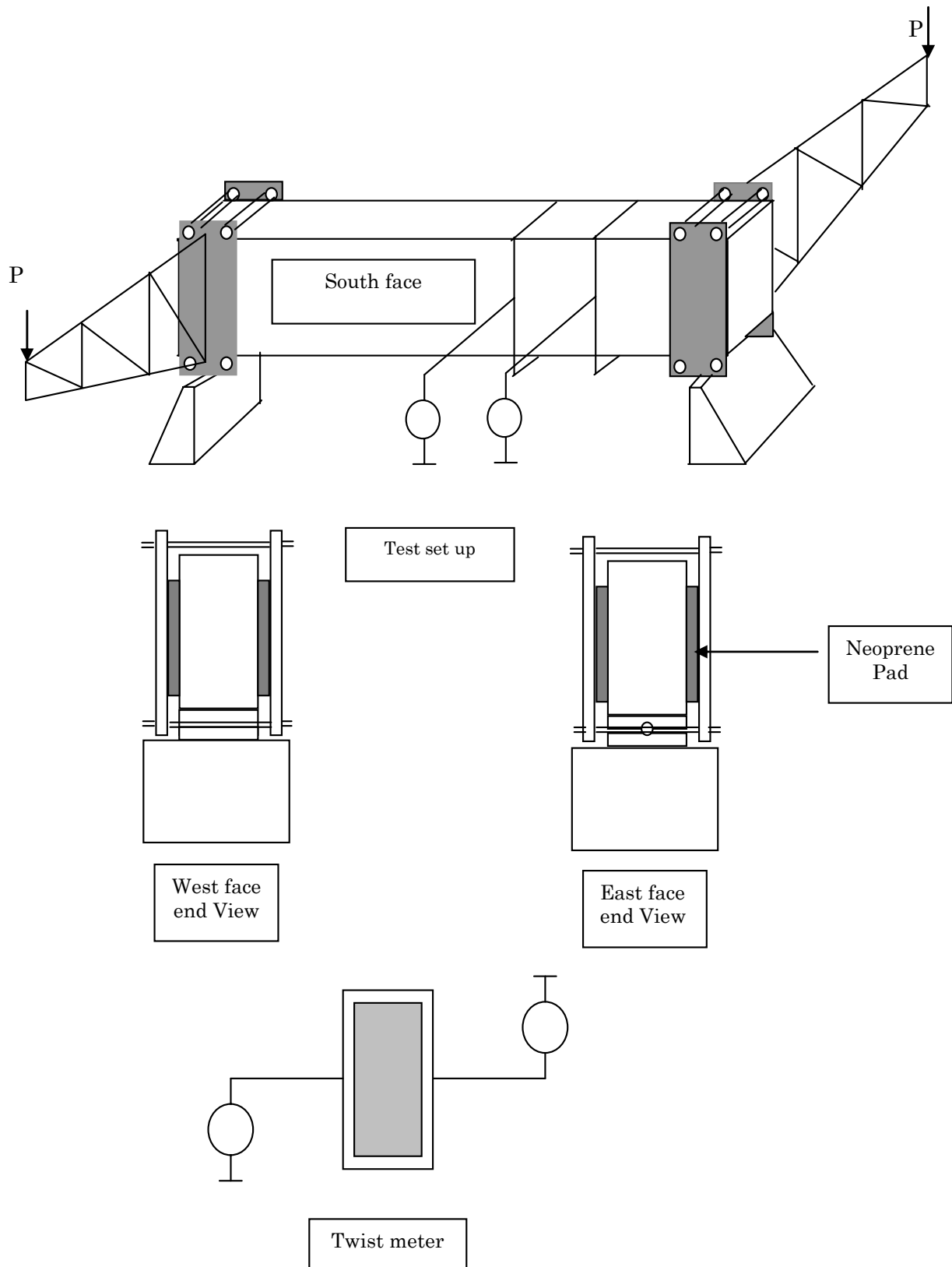


Figure 2. Overall test set up with different views

Table 3. Characteristics of the materials used.

Material	Characteristics
Cement	Ordinary Portland cement of compressive strength 53 MPa.
Fine Aggregate	Confirming to the requirements of ASTM-33C
Coarse Aggregate	Crushed granite aggregates of maximum size 12 mm
Water	Potable water
Reinforcement	Bars of diameters 6mm, 8 mm and 10 mm having yield strength 432 MPa were used.
Fiber	41 mm long Galvanized Iron wires of diameter 0.546 mm was used. Wire is plain and straight. Wire aspect ratio is 75. Yield strength of the wire is 295 MPa.

Designation of the beams

Each and every beam is designated by the over reinforced state viz., R50C for completely over reinforced state, R50L for longitudinally over reinforced state and R50T for transversely over reinforced state. The last letters of the designation of the beams represent the percentage volume fraction of the fiber i.e., “P” for 0, F1 for 0.3, F2 for 0.6, F3 for 0.9 and F4 for 1.2 percentage of volume fraction of fiber content.

Casting and testing of beams

Rigid mild steel channel moulds were arranged on a smooth horizontal rigid level platform for casting the beams. The required quantities of the materials for casting one beam and the companion cylinders were mixed in an electrically operated mixer. The fibers were added to the mixer manually in small quantities intermittently to avoid balling of fibers. The time necessary for complete concreting was well within the initial setting time of the cement. The beams and cylinders were removed from the moulds carefully after 24 hours of casting and were fed to the curing tank. The cured beams were white washed a day before testing to facilitate the crack angle identification and measurement. The test beam was mounted on the wing table of the testing machine. One end of the beam was supported on rollers, while the other end was supported on rigid support. This type of test setup facilitates free rotation of roller end and provides stability to the test specimen during testing. Specially made twist arms are placed at both supports of the beam having an arm length of 1.5 m. Load on the twist arm was applied through a mechanical screw jack and the loading was monitored through a proving ring attached to the jack. Absolute care has been taken, such that, the

plane of loading and twisting arm were perpendicular to the longitudinal axis of the beam. This avoids any possibility of bending of the beam instead of twisting and as a result the beam between the two supports was subjected to pure torsion. The complete test setup is schematically presented in Figure 2. Figure 3 shows the actual test set up. Load was applied at an eccentricity of 1.47 m from the center of the beam. At the restraining end a proving ring was placed to verify the reaction torque. For every increment of load, the corresponding dial gauge readings of the twist meter were noted for computing twist per unit length



Figure 3- Test set up



Figure 4. Tested longitudinally over reinforced beams

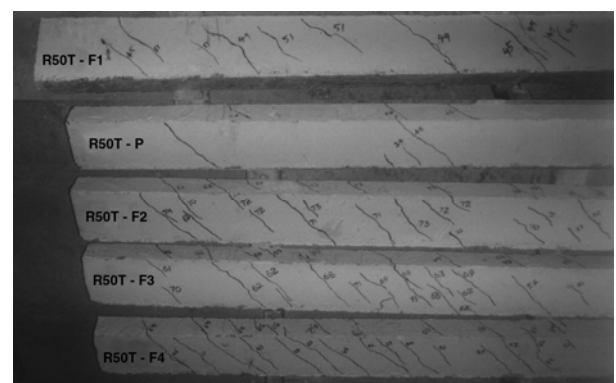


Figure 5 . Tested transversely over reinforced beams

Table 4. Concrete mix details and reinforcement details of the tested beams.

Designation of the beam	Mix details kg per cubic meter of concrete		Longitudinal reinforcement	Uniform spacing of transverse reinforcement of two legged 8mm dia. bars	Cylinder compressive strength in MPa	Split tensile strength in MPa
	Super plasticizer	Steel fibers				
R50C-P	0	0	4 # 10 mm dia. bars	80 mm c/c	50.12	2.90
R50C -F1	400 ml	23.55	4 # 10 mm dia. bars	80 mm c/c	50.95	3.11
R50C -F2	500 ml	47.10	4 # 10 mm dia. bars	80 mm c/c	51.82	3.36
R50C -F3	650 ml	70.65	4 # 10 mm dia. bars	80 mm c/c	52.45	3.88
R50C -F4	800 ml	94.20	4 # 10 mm dia. bars	80 mm c/c	53.90	4.38
R50L-P	0	0	4 # 10 mm dia. bars	150 mm c/c	50.21	2.89
R50L -F1	400 ml	23.55	4 # 10 mm dia. bars	150 mm c/c	51.05	3.04
R50L -F2	500 ml	47.10	4 # 10 mm dia. bars	150 mm c/c	52.06	3.51
R50L -F3	650 ml	70.65	4 # 10 mm dia. bars	150 mm c/c	53.41	3.87
R50L -F4	800 ml	94.20	4 # 10 mm dia. bars	150 mm c/c	54.07	4.35
R50T-P	0	0	4 # 6 mm dia. bars	80 mm c/c	51.35	2.91
R50T -F1	400 ml	23.55	4 # 6 mm dia. bars	80 mm c/c	52.64	3.29
R50T -F2	500 ml	47.10	4 # 6 mm dia. bars	80 mm c/c	53.15	3.71
R50T -F3	650 ml	70.65	4 # 6 mm dia. bars	80 mm c/c	54.12	4.05
R50T -F4	800 ml	94.20	4 # 6 mm dia. bars	80 mm c/c	55.51	4.45

Table 5. Test results of SFRC beams under pure torsion

Beam designation	Cracking torque kNm	Angle of twist at cracking torque rad/m	Ultimate torque kNm	Ultimate twist rad/m	Torsional toughness kNm/m	Initial stiffness kNm ²	Post cracking torsional stiffness kNm ²
R50C-P	2.057	0.039	6.584	0.138	0.624	641.287	62.128
R50C -F1	2.199	0.047	6.670	0.141	0.638	666.938	58.495
R50C -F2	2.367	0.052	6.755	0.141	0.662	679.764	57.609
R50C -F3	2.710	0.057	6.841	0.141	0.681	692.589	58.785
R50C -F4	3.039	0.060	6.926	0.141	0.695	705.345	58.785
R50L-P	2.050	0.039	5.131	0.173	0.700	615.635	44.386
R50L -F1	2.152	0.049	5.216	0.173	0.706	654.112	45.863
R50L -F2	2.467	0.058	5.302	0.176	0.736	657.319	47.791
R50L -F3	2.707	0.063	5.387	0.179	0.761	673.351	48.784
R50L -F4	3.020	0.068	5.473	0.180	0.788	694.727	53.078
R50T-P	2.066	0.034	5.687	0.156	0.659	676.557	54.163
R50T -F1	2.323	0.045	5.772	0.156	0.672	692.589	54.163
R50T -F2	2.602	0.043	5.815	0.163	0.722	705.415	50.285
R50T -F3	2.827	0.053	5.900	0.163	0.736	716.103	53.339
R50T -F4	3.090	0.061	5.986	0.167	0.786	731.067	54.414

Table 6. Relative improvement in different torsional properties of reinforced members with the addition of fibers.

Torsional properties	Relative improvement over conventionally reinforced concrete at different fiber volume fraction											
	Completely over reinforced members				Longitudinally over reinforced members				Transversely over reinforced members			
	0.3%	0.6%	0.9%	1.2%	0.3%	0.6%	0.9%	1.2%	0.3%	0.6%	0.9%	1.2%
Cracking torque	1.07	1.15	1.32	1.48	1.05	1.20	1.32	1.47	1.12	1.26	1.37	1.50
Ultimate torque	1.01	1.03	1.04	1.05	1.02	1.03	1.05	1.07	1.01	1.02	1.04	1.05
Initial torsional stiffness	1.04	1.06	1.08	1.10	1.06	1.07	1.09	1.13	1.02	1.04	1.06	1.08
Torsional toughness	1.02	1.06	1.09	1.11	1.01	1.05	1.09	1.13	1.02	1.10	1.12	1.19

Twist measurement

Twist meters specially prepared in the laboratory were used to measure the twist of the beam. The twist meters consist of steel frames as shown in Figure 1 and can be attached to the beam by means of transverse screws. The steel frames were welded with steel arms of length 200 mm on vertical sides of the frame. Dial gauges placed under the steel arms of the twist-meter allow the measurement of rotation of the cross-section of the beam. Such two frames were spaced at a gauge distance of 300 mm. This facilitates the measurement of twist per unit length of the beam. Strains in rebars and surface concrete could not be measured as strain gauges were not installed at the time of casting.

Test results and discussion

The experimental results of all reinforced SFRC members, viz., cracking torque, twist at cracking torque, Ultimate torque, corresponding twist, pre cracking torsional stiffness, post cracking torsional stiffness and torsional toughness are presented in Table 5. Cracking torque was considered as the torque in the torque twist diagram where the curve has deviated from linearity. Torsional stiffness was calculated from the torque twist response of the concerned member. The area under the torque twist response of the member was taken as the representative of the torsional toughness of the member.

Fiber inclusion improved the cracking torque of all beams irrespective of the over reinforced state. The crack patterns of longitudinally over reinforced and transversely over reinforced beams were presented in Figure 4 and Figure 5 respectively. In Figure 4, R50L-F2 represents longitudinally over reinforced beams with fiber content of 0.6%. Similarly in Figure 5, R50T-P represents transversely over reinforced beam without fiber content. The torque twist responses of the tested members were presented in Figure 6, Figure 7 and Figure 8. From the torque twist responses of the beams it is clear that there exist three distinct phases in the response of the member viz., pre-cracking phase, transition phase and post cracking phase. The torsional stiffness of the member pre cracking phase is high, as the total cross section of the beam resists the torsional load. Post cracking torsional stiffness is notably smaller compared to pre cracking torsional stiffness, because in this phase the member develops spiral cracking and core concrete does not contribute anything either for the stiffness or for the strength of the member [8]. In the post cracking phase, the reinforcement and the concrete between the spiral cracks, resists the stresses (Truss model). The transition phase is the phase during which the complete truss action activates in the member. The reduction in torsional stiffness in post cracking phase of the member

depended upon the over reinforced state of the cross section. The post cracking torsional stiffness in case of longitudinally/transversely over reinforced beams was found to be less than that of the completely over reinforced members. This may be due to the activation of more reinforcement present in the completely over reinforced beam.

Smaller crack widths were noticed in SFRC beams compared to reinforced beams without fibers. Also the cracks propagated at reduced rate in SFRC beams. In SFRC beams more cracks were observed compared to conventional reinforced beam. In other words crack spacing decreased in SFRC beams. No spalling of concrete was observed during the testing. In all reinforced beams, little improvement in ultimate torsional strength was noticed with the addition of fibers. However, fibers improved the stiffness and toughness of the beam. This improvement may be due to the tension stiffening of SFRC in the post cracking stage and improved modulus of SFRC (law of mixtures as indicated by Romauldi and Mandel [10]) in the pre cracking stage.

Longitudinally over reinforced beams

The improvement in the ultimate torsional strength of beams with fiber content of 1.2% was found to be about 7% of that of reinforced concrete beam without steel fibers. The improvement in torsional toughness of SFRC beams with 1.2% volume fraction of the fiber over conventional reinforced concrete member is 13%. Inclusion of fibers improved the cracking torque by 47% when the fiber volume fraction is 1.2%. From these values it is clear that fibers present in SFRC beams have beneficial effect in improving the cracking torque of the beam. The crack angle measured with the longitudinal axis of the beam in this series of beams, varied from 40°-44°. Inclusion of fiber improves the torsional toughness of the member noticeably, which is indicated by the increase in the area under the torque twist curve. (Figures 6-8)

Transversely over reinforced beams

The cracking torque of transversely over reinforced members was found to be 36.3% of ultimate torque in the case of non-SFRC members. The cracking torque in case of SFRC beams was found to be about 51.6% of ultimate torque when the fiber content is 1.2%. The twist at cracking torque has increased with the addition of fibers. This indicates that beams can undergo more twist without cracking in presence of fibers, which improve the performance at service loads of beams under pure torsion. The percentage improvement in the torsional toughness was found to be 19% for transversely over reinforced beams with 1.2% of fiber content. The crack angle measured with the longitudinal axis of the beam in this series of beams, varied from 48°-52°.

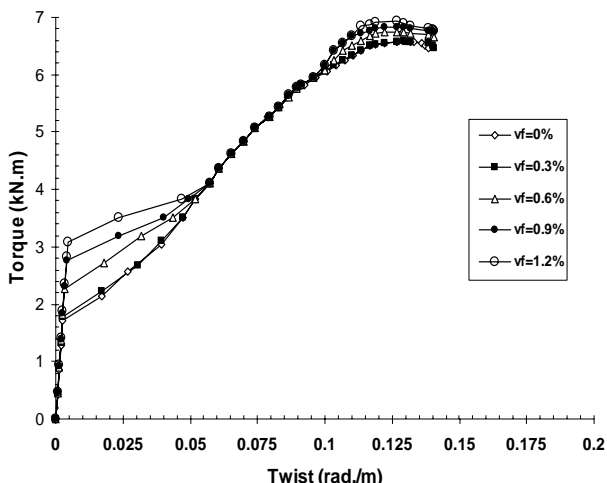


Figure 6. Torque twist response of completely over reinforced members

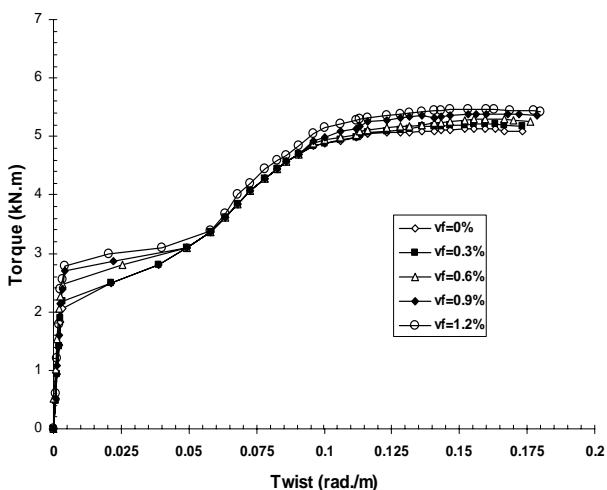


Figure 7. Torque twist response of longitudinally over reinforced members

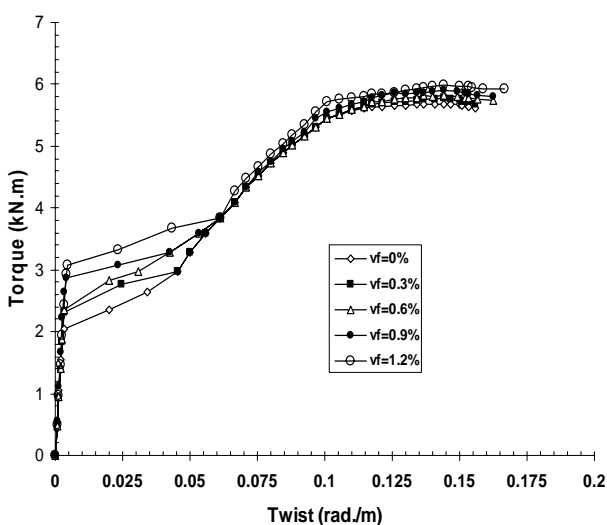


Figure 8. Torque twist response of transversely over reinforced members

Completely over reinforced beams

Fiber inclusion improved the cracking torque, torsional toughness, initial torsional stiffness and post cracking torsional stiffness of the beams. Cracking torque of non-SFRC beams was 31.2% of ultimate torque of the corresponding beam. The cracking torque of SFRC beam in this series of beams was found to be 43.88% of ultimate torque of the corresponding beam with 1.2% of volume fraction of the fiber. This clearly shows that fiber inclusion improves the cracking resistance of the member. Improvement in ultimate torque with the addition of the fibers was found to be very little. When volume fraction of fiber was 1.2%, the percentage increase in torsional toughness was found to be 11% over conventionally reinforced beams. The crack angle measured with respect to longitudinal axis of the beam range from 46° to 52° .

The relative improvement in the different torsional properties of the reinforced SFRC beams with the addition of fiber is presented in the Table 6. From this table, it is clear that fiber inclusion improves the cracking torque appreciably compared to the ultimate torque. This may be attributed to the fact that the presence of fibers improves the shear strength of the basic matrix. In the post cracking stage, the reinforcement takes the major share of the torque, thus fibers will have little influence on the ultimate torsional strength of the member. This is indicated by the very little improvement observed in ultimate torque with the addition of the fibers. In the post cracking stage, the concrete diagonal present between two consecutive cracks, longitudinal reinforcement and transverse reinforcement resists the torsional load. The concrete diagonal bends into the shape of hyperbolic paraboloid [11]. Thus concrete present in between the diagonal is subjected to compressive stress and the tensile stresses are resisted by the longitudinal and transverse reinforcement. In light of this fiber present in the matrix has to participate in resisting the compressive stress only. As fiber in concrete hardly improves the compressive strength of the matrix, no appreciable increase in the ultimate torsional strength of the members is noticed. As all the tested members are in one way or other over reinforced, thus fiber influence is not seen in the ultimate torsional strength. In the similar lines, fibers in the beam have improved twist at cracking torque considerably than the twist at the ultimate torque.

Conclusions

Based on the experimental investigation on the torsionally over reinforced beams the following conclusions have been drawn.

1. Fiber addition was found to be more beneficial in the pre-cracking phase of the reinforced beams subjected to pure torsional loads. Fiber volume fraction of 1.2%, improved the cracking torque by about 47% over conventional RC member.
2. Addition of fibers improved the torsional toughness of the beam. Fiber volume fraction of 1.2%, improved the torsional toughness by about 10% over conventional RC member.
3. Fiber addition makes the members to have improved performance under torsional service loads.
4. Fiber addition has very little improvement on the ultimate torsional strength of the member irrespective of the way in which the beam is over reinforced with respect to torsional loads. Even at 1.2% fiber volume fraction, the increase in the ultimate torsional strength is noticed as 5%.
5. Addition of fibers increased the twist at cracking torque more compared to the same at the ultimate torque.
4. Craig, J.R., Dunya, S., Riaz, J., and Shirazi H. Torsional Behavior of Reinforced Fibrous Concrete Beams, *ACI Special Publication SP 81, Paper 81-2, International Symposium on Fibre-Reinforced Concrete*, American Concrete Institute, Detroit, MI, 1984, pp. 17-49.
5. Batson, G., Terry, T., Chang, M.S., Fibre Reinforced Concrete Beams Subjected to Bending and Torsion, *ACI Special Publication SP 81, Paper 81-3, International Symposium on Fibre-Reinforced Concrete*, American Concrete Institute, Detroit, MI, 1984, pp. 50-68.
6. Gunneswara Rao, T.D. and Rama Seshu, D., Torsion of steel fiber reinforced concrete members, *Cement and Concrete Research*, Vol.33, 2003, pp. 1783-1788.
7. Gunneswara Rao, T.D. and Rama Seshu, D., Analytical model for the torsional response of steel fiber reinforced concrete members under pure torsion, *Cement Concrete and Composites*, Vol. 27/4, 2005, pp. 493-501.
8. Rahal, K.N., and Collins, M.P., Simple Model for Predicting Torsional Strength of Reinforced and Prestressed Concrete Sections, *ACI Structural Journal*, Nov.-Dec. 1996, pp. 658-666.
9. Gunneswara Rao T.D., *Effect of Inclusion of Steel Fibers on the Behaviour of Reinforced Concrete Beams under Different Torsional States*, Ph.D. Thesis Submitted for Kakatiya University, Warangal, India, 2003.
10. Romauldi, J.P. and Mandel, J.A, Tensile Strength of Concrete as Effected by Uniformly Distributed and Closely Spaced Short Length of Wire Reinforcement, *ACI Journal*, Vol.61, No.6, June 1964, pp. 127-134.
11. Hsu, T.T.C., Softened Truss Model Theory for Shear and Torsion, *ACI Structural Journal*, November-December 1982, pp. 624-634.

Acknowledgements

Authors are highly thankful to the authorities of National Institute of Technology Warangal, for providing necessary materials and equipment for conducting the experimental program.

References

1. Narayanan, R. and Toorani-Goloosalar, Z., Fibre Reinforced Concrete in Pure Torsion and Combined Bending and Torsion, *Proceedings of Institution of Civil Engineers Part 2*, 1979, pp. 987-1001.
2. Hafeez Khan, T.A., Sanjeeva Reddy, T., and Murthy P.S., An Experimental Study of Fibre-Reinforced Concrete Beams under Pure Torsion, *Indian Concrete Journal*, October 1976, pp. 314-317.
3. Mansur, M. A. and Paramasivam, P., Fiber Reinforced Concrete Beams in Torsion, Bending, and Shear, *ACI Journal*, January-February 1985, pp. 33-39.